



# Amplified Inductive Sensors Ø 6.5



AMPLIFIED INDUCTIVE SENSORS INCREASED RANGE 10÷30 VDC 3 WIRES NPN OR PNP OUTPUT

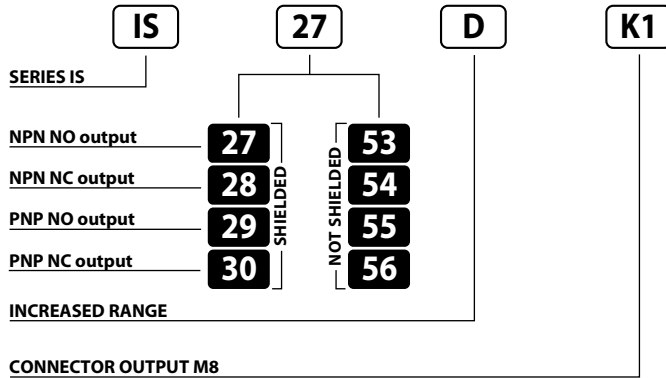
- Three-wire
- Increased range, shielded, not shielded
- Range, 2mm to 3mm
- Short housing cable models
- 200mA NPN or PNP
- Stainless steel
- Operation LED

IS Series

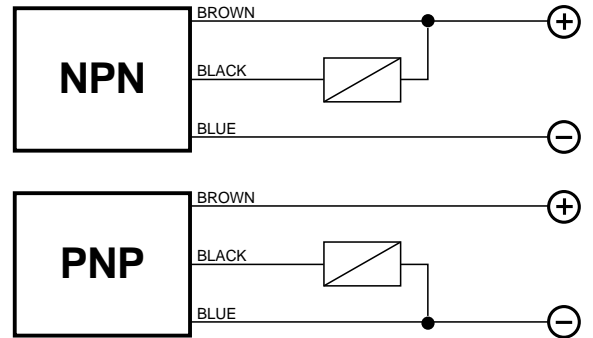
New



## Identification code

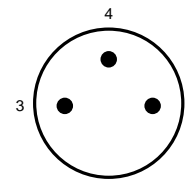


## Wiring diagrams



	SHIELDED	NOTSHIELDED
NOMINAL SWITCHING DISTANCE (Sn)	2 mm	3 mm
NOMINAL VOLTAGE	10 ÷ 30 VDC (-15 / +10%)	
RESIDUAL RIPPLE	≤ 10%	
HYSTERESIS	< 10%	
MAX. OUTPUT CURRENT	200 mA	
RESIDUAL CURRENT	< 10 mA	
VOLTAGE DROP	< 1.2 V (I = 100 mA)	
OPERATION LED	Yellow	
SWITCHING FREQUENCY	500 Hz	
START UP DELAY	≤ 75 mS	
REPEATABILITY	≤ 3%	
SHORT CIRCUIT PROTECTION	Present (self-resetting)	
ELECTRIC PROTECTIONS	Against polarity reversal - inductive loads	
TEMPERATURE LIMITS	- 25 ÷ +70 °C	
PROTECTION DEGREE	IP 67	
CABLE LENGTH	2 m	
CABLE SECTION	3 x 0,14 mm <sup>2</sup>	
HOUSING MATERIAL	Stainless-steel	
WEIGHT - Cable output -	80 g	
WEIGHT - K1 connector output -	40 g	
WEIGHT - K connector output -	-	

## Connection with connector M8 (K1)



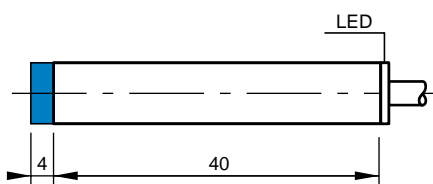
View of tripole male connector.

### CONTACTS CONFIGURATION

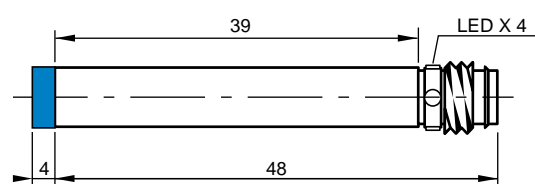
Available	Contacts numbers		
	1	3	4
(NO or NC)	+	-	NO/NC

## Dimensions (mm)

CONFIGURATION WITH CABLE



CONNECTOR K1



Note: the front part in blue refers to not shielded models